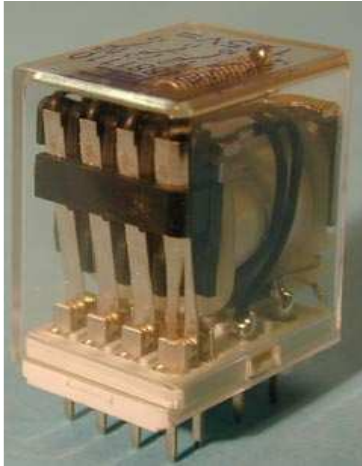


İMAJ TEKNİK
ELEKTRİK ELEKTRONİK MALZ. SAN. VE TİC. LTD. ŞTİ

INSTANTANEOUS AND FUNCTION RELAYS

Instantaneous relays 4 contacts / 1304



TEC
1304

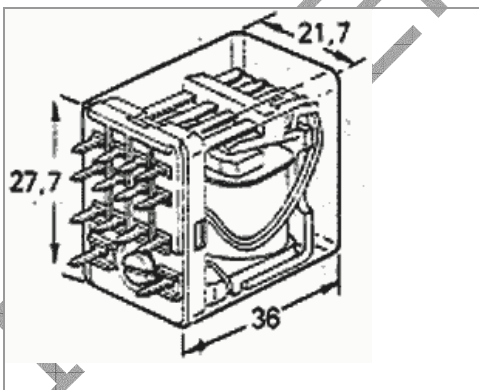
DESCRIPTION

Instantaneous relay 4 CO contacts.

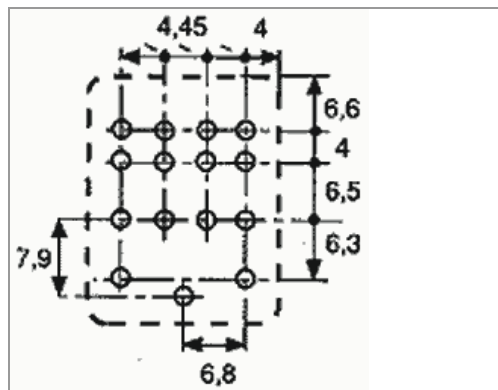
To be soldered on PCB.

Detailed table of coil resistance data is available in the technical support pages of this site or can be sent upon request.

Dimensions



Connection



TECHNICAL FEATURES

Function	instantaneous
Presentation	under cover
Connection	to be soldered on PCB
Number of mechanical operations	10.000.000
Operating temperature	- 10 to + 55°C
Storage temperature	- 40°C to + 80°C
Climatic protection	reinforced climatic protection
Shock voltage	3 KV onde 1,2/50 microseconds

Dielectric strength	Contact/contact : 1,5 KV - coil/contact : 1,5 KV
Insulation resistance	> 1.000 MOhms (500 VDC new relay)
Weight	40 g.

COIL DATA

	Direct current	Alternative current	
Min. nominal voltage DC	6 V	6 V	
Min. nominal voltage AC	220 V	230 V - 50 or 60 Hz	
Operating range	-20/+10% of nominal voltage		
Power requirement	0,9 W	2 VA	1,6 VA

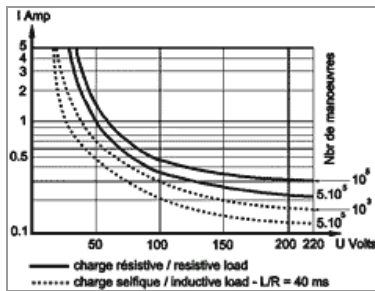
CONTACTS

Number of contacts	4 CO
Contacts material	silver alloy with gold flash
Max. load current	5 A per contact
Low power switching	100 mVA with min voltage 1 V or I min 1 mA
Short-circuit load	100 A / 30 ms
Response time	DC < 15 ms - AC < 15 ms
Bounce time	< 6 ms

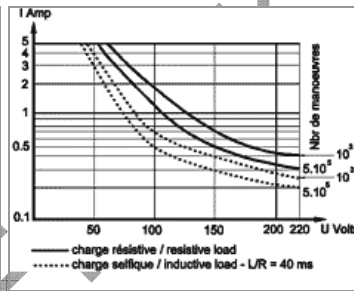
CONTACTS RATING

DIRECT CURRENT

connection on DC

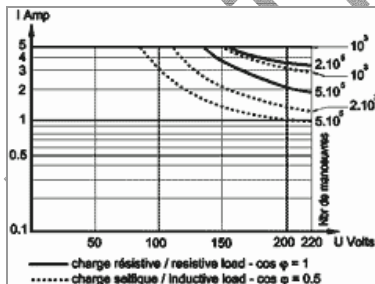


connection on DC - 2 RT



ALTERNATIVE CURRENT

connection on AC



VERSIONS

Many possibilities of contacts position in AC or DC current.

1304 can also be manufactured with or without test push-button, LED, ears cover.

Contact us



İmaj Teknik Elektrik Elektronik San. ve Tic. Ltd. Şti.
EMEYEMEZ MAH.TUTSAK SOK. NO: 16/13-14-15
KARAKOY/İSTANBUL
TURKEY

Telefon : +90 212 235 9535 / 36 www.ijajteknik.com
Fax : +90 212 235 9537 www.ijajteknik.com.tr